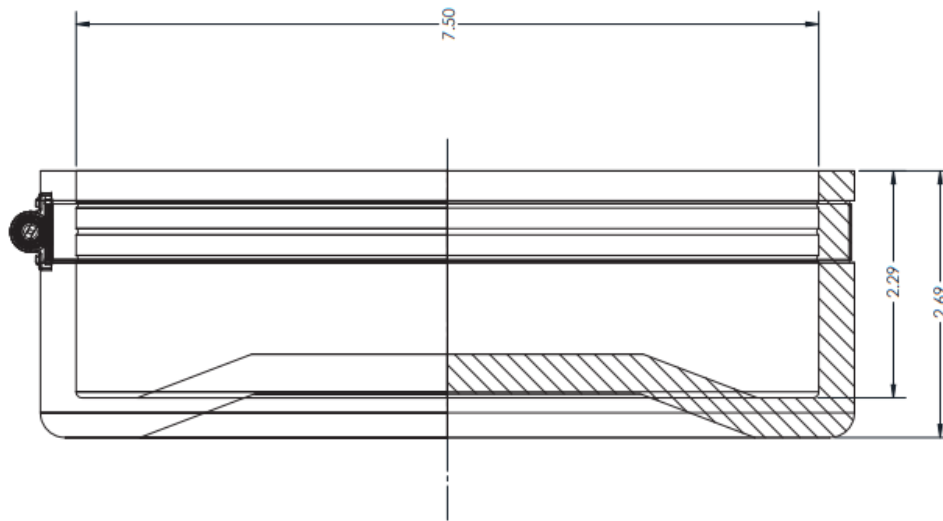




Dear Valued Customers,

We are pleased to announce the addition of a new Indiana Seal part. The 7.5" Seal Cap. The seal cap can be used to cover pipe OD's from 7.13" – 7.85"



ISSC-750
Multiplier Code: IC
List price: \$33.51

For more information please contact your local rep or factory sales representative.

Sincerely,

GPK Products Inc. /Indiana Seal Inc.
800-437-4670
Fax. 701-277-9286
www.gpk-fargo.com/
www.indiana-seal.com/

